

### ◆ TAD/TFD Oven Trucks

Specifications for truck and shelf detail



Despatch offers a standard truck designed for use with TAD and TFD Walk-in/ Truck-in ovens. The standard truck comes with steel casters, a rigid base and a shelf rack with four-inch spacing. Shelves are available individually so you can order as many as needed. This standard design can be modified to suit your particular needs.

Proper loading of the oven is critical to achieving optimal temperature uniformity. Parts must be loaded in the oven in a way that allows air to flow evenly around all parts on the load. Trucks can be designed to enhance efficiency and improve part uniformity.

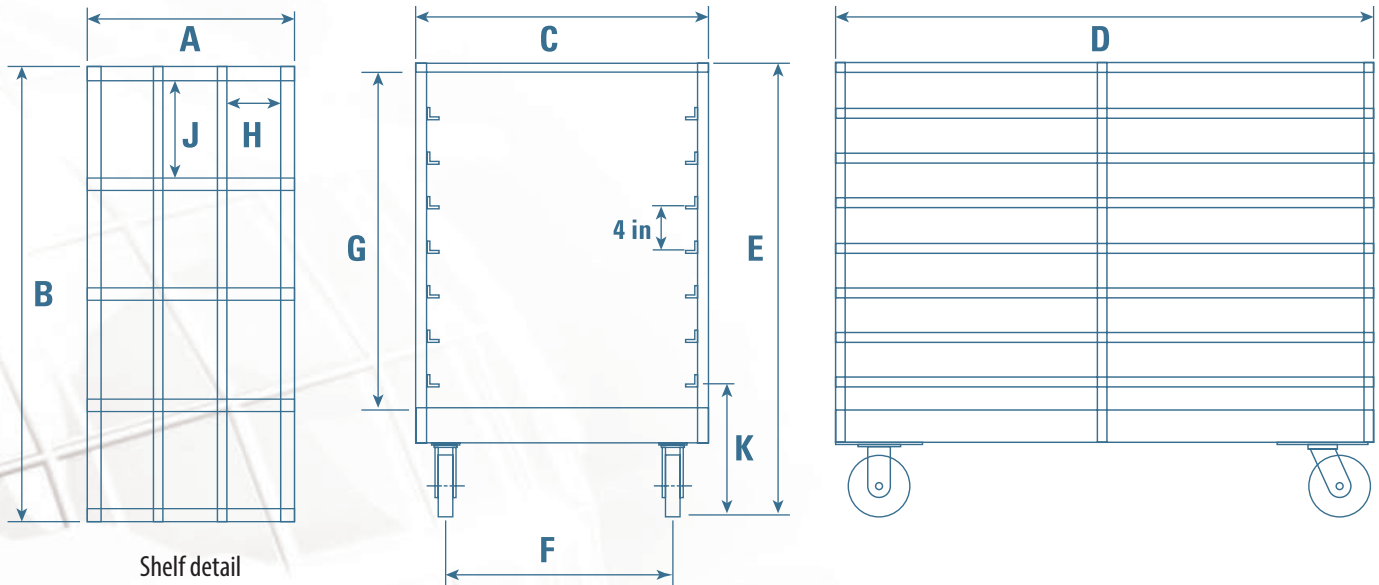


TAD/TFD	2-52	3-10	3-21	3-48/96*
<b>PHYSICAL SPECIFICATIONS</b>				
Maximum Number of Shelves	12	13	13	12
Shelf Thickness	1.38 in	1.38 in	1.50 in	1.50 in
Shelf Weight	30 lbs	40 lbs	75 lbs	75 lbs
Shelf capacity	175 lbs	200 lbs	275 lbs	275 lbs
Max Load Capacity (product+shelves)	1325 lbs	1750 lbs	2200 lbs	2200 lbs
A - Width of Shelf	32.00 in	41.38 in	57.38 in	35.25 in
B - Length of Shelf	31.13 in	47.00 in	64.00 in	68.75 in
C - Width of Truck	34.00 in	44.00 in	60.75 in	38.74 in
D - Length of Truck	32.00 in	48.00 in	64.00 in	69.00 in
E - Height of Truck	61.25 in	66.75 in	68.13 in	90.00 in
F - Caster Centerline Distance	24.00 in	32.00 in	48.00 in	26.00 in
G - Working Truck Height	48.50 in	53.00 in	53.00 in	74.84 in
H - Shelf Lattice Height	3.00 in	4.00 in	4.00 in	3.75 in
J - Shelf Lattice Length	14.00 in	14.00 in	11.25 in	12.75 in
K - Height of Bottom Shelf	12.38 in	13.75 in	14.88 in	14.75 in



These trucks are designed to fit the standard line of Despatch TAD/TFD walk-in ovens mating the distance between the casters on each truck to the oven model floor tracks.

\*Two trucks for 3-48 and four trucks for 3-96 to fill oven



### SERVICE AND TECHNICAL SUPPORT

service parts: 1-800-473-7373  
 international service/main: 1-952-469-8230  
 service fax: 1-952-469-8193  
 service@despatch.com  
 usparts@itweae.com

### GLOBAL HEADQUARTERS

main phone: 1-800-726-0110  
 international/main: 1-952-469-5424  
 sales: 1-800-726-0550  
 international/sales: 1-952-469-8240  
 sales@despatch.com

### WWW.DESPATCH.COM

8860 207th Street West  
 Minneapolis, MN 55044 USA

